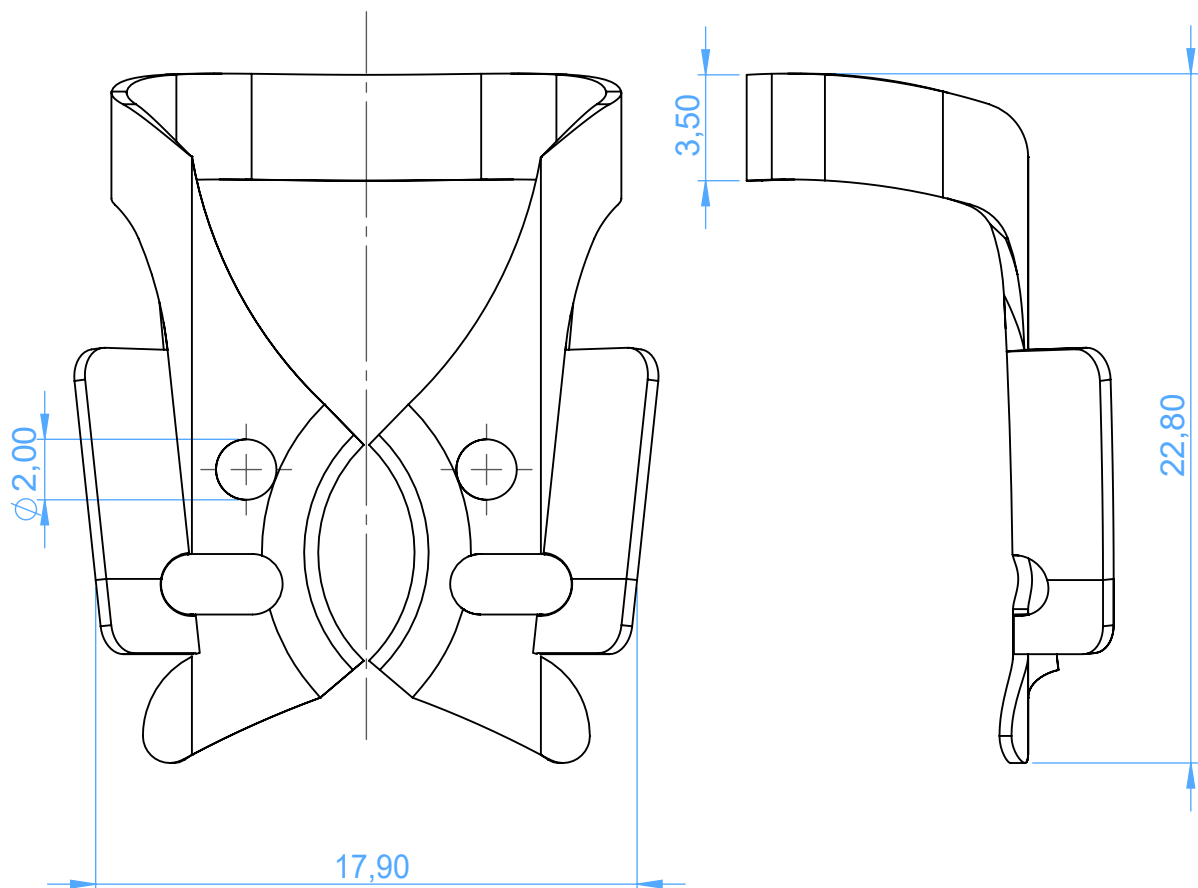


3051-205 - RUBBER DAM CLAMPS / Uncini per diga

205  
winged  
for large upper molars



SCALE 4:1