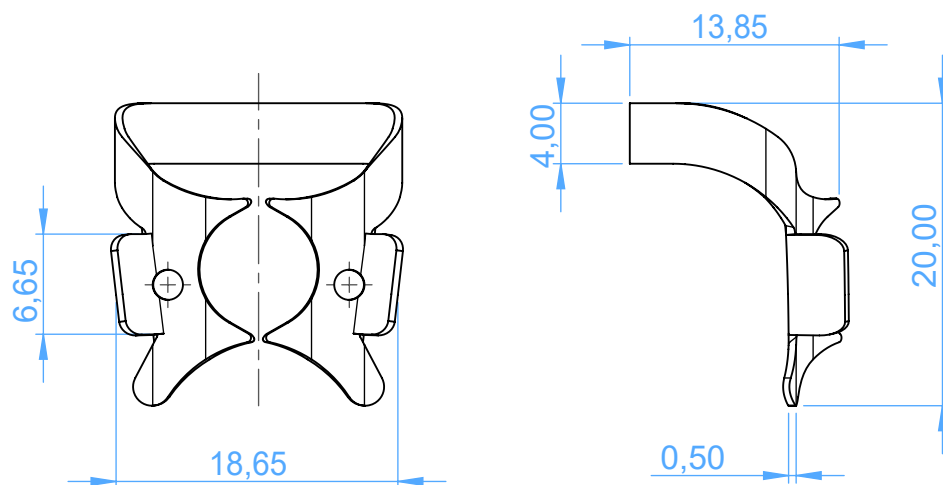


## 3052-14A - RUBBER DAM CLAMPS / Uncini per diga

14A  
winged  
for large molars,  
partially broken,  
irregularly shaped  
or inclined



SCALE 2:1