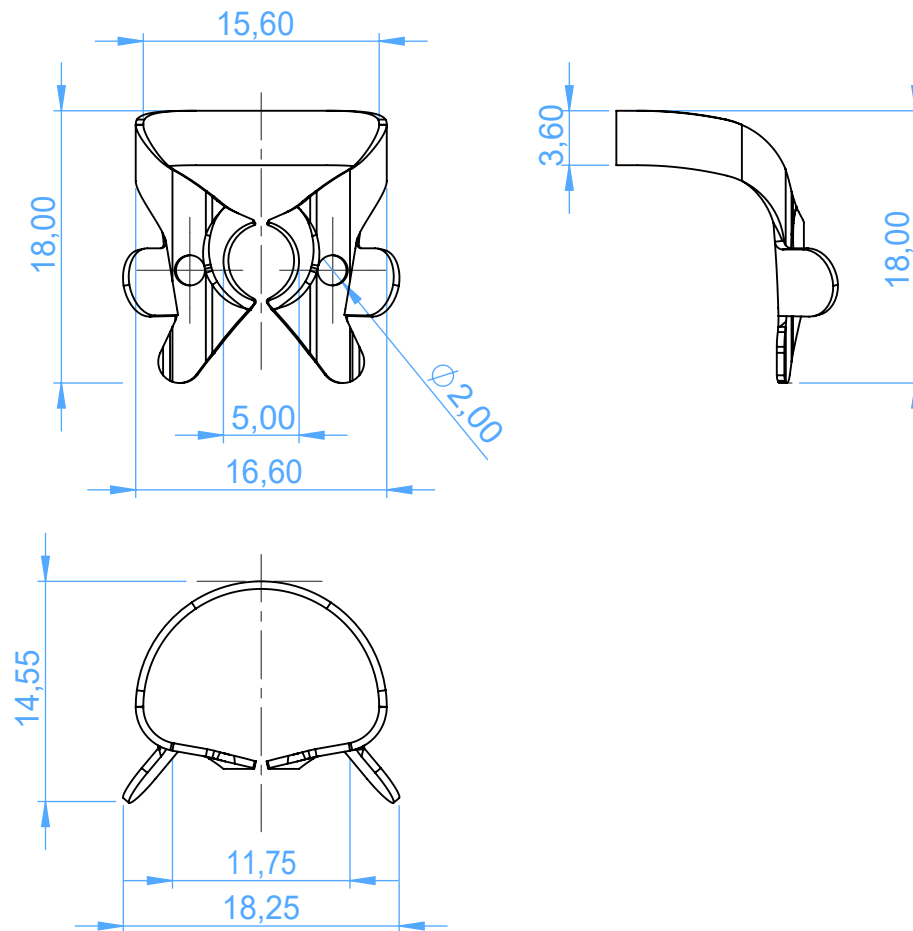


3052-1 - RUBBER DAM CLAMPS / Uncini per diga

1  
winged



SCALE 2:1