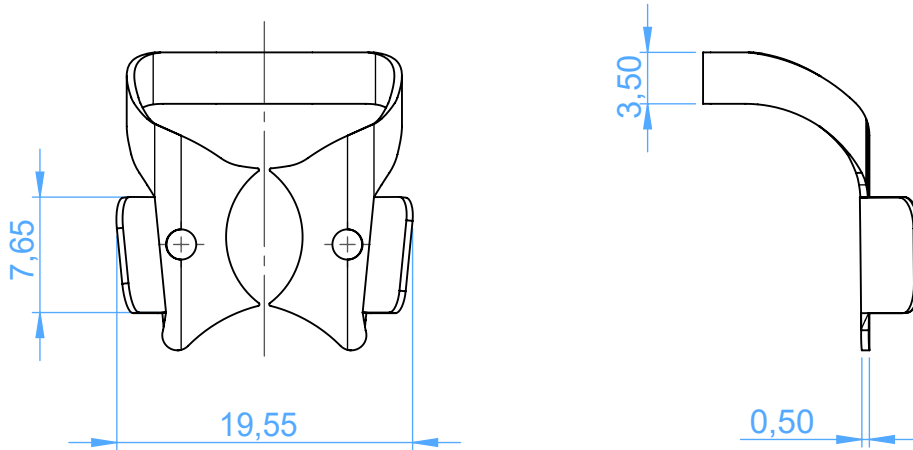


3052-7 - MOLARS / MOLARI

for square lower molars
7
winged



SCALE 2:1