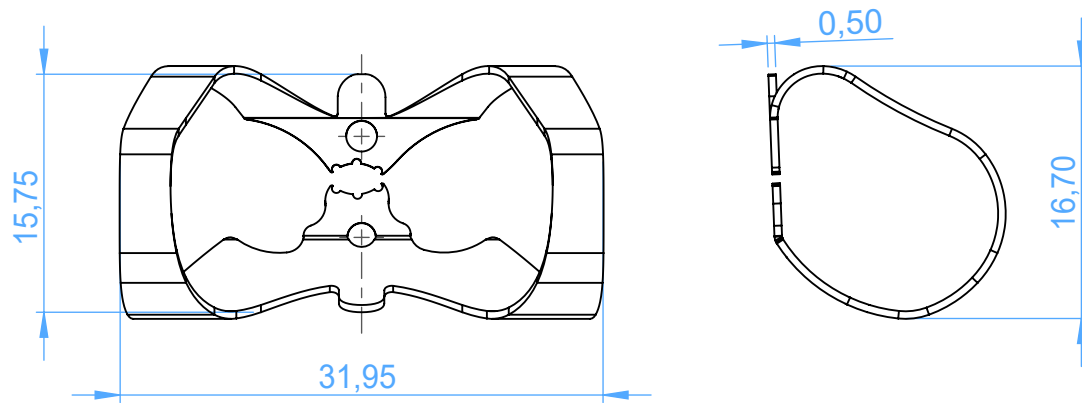


3052-9T - RUBBER DAM CLAMPS / Uncini per diga

9T
winged
serrated labial



SCALE 2:1