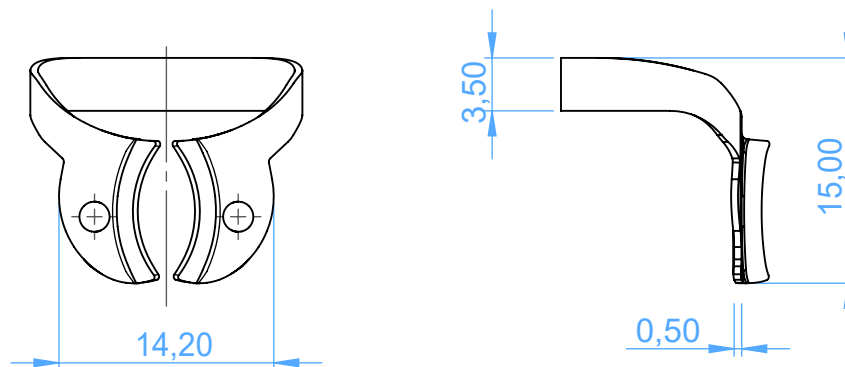


3052-W4 - RUBBER DAM CLAMPS / Uncini per diga

W4
wingless
for small upper molars
with round collars



SCALE 2:1