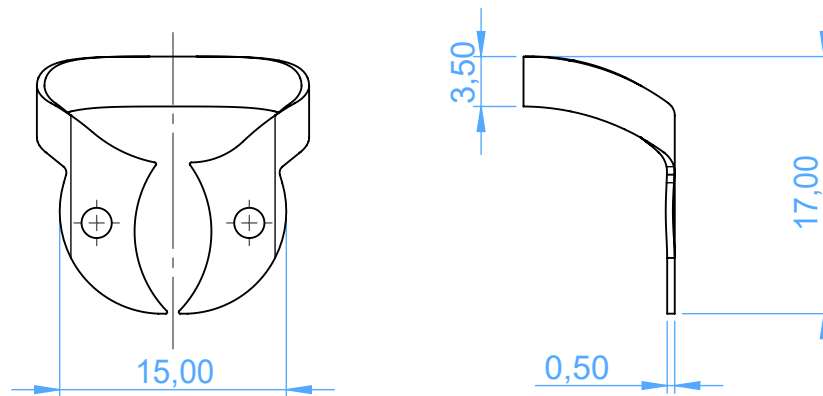


3052-W7 - RUBBER DAM CLAMPS / Uncini per diga

W7
wingless
for square lower molars



SCALE 2:1