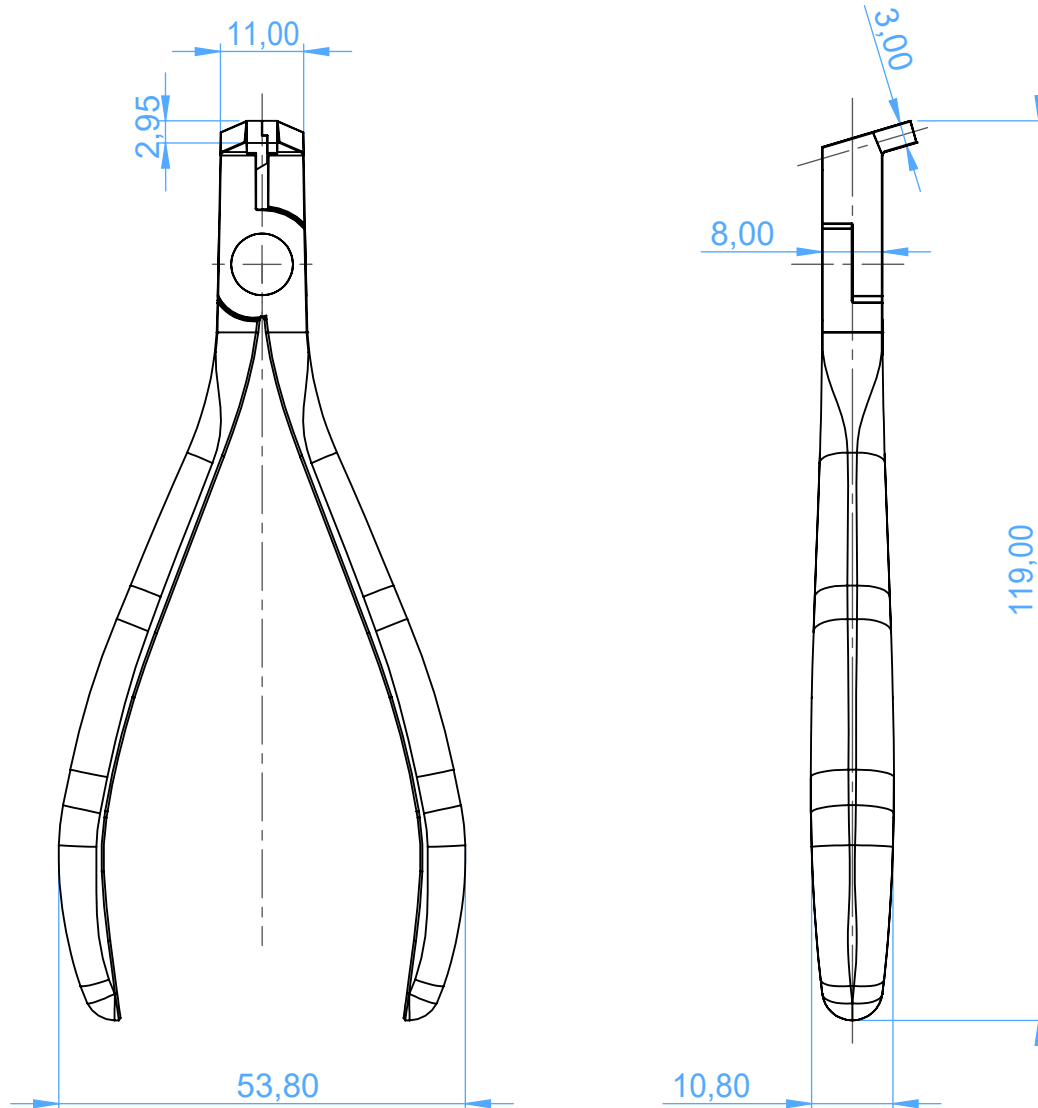


5836-1TC - CUTTERS / Tronchesi

distal end cutter
with tungsten carbide inserts



SCALE 1:1