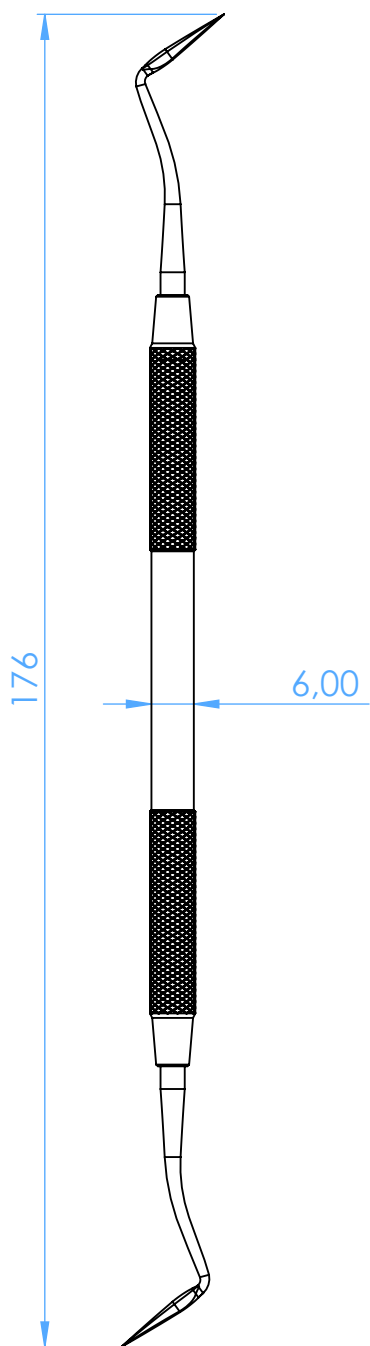


1817 - 02 - Bisturi per gengivectomia - Gingivectomy knives

1/2 Sanders



SCALE 1:1