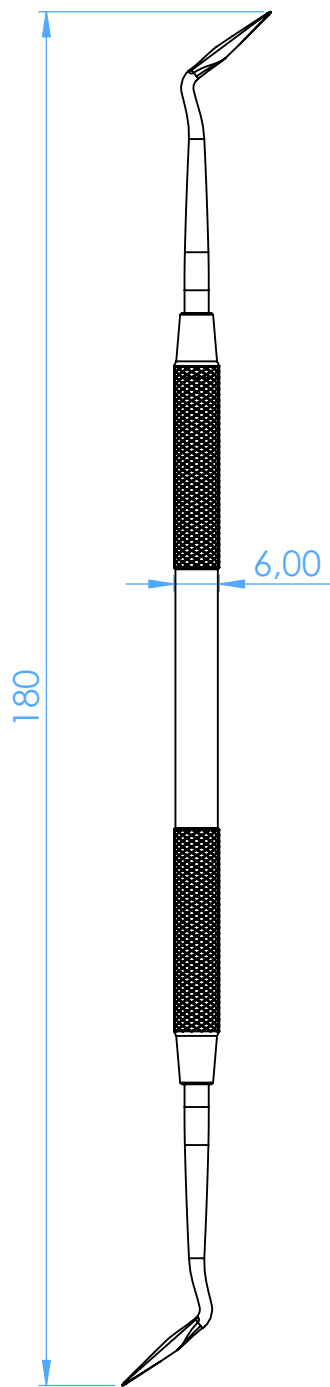


1817-05 - Bisturi per gengivectomia - Gingivectomy

4/5 Sanders



SCALE 1:1