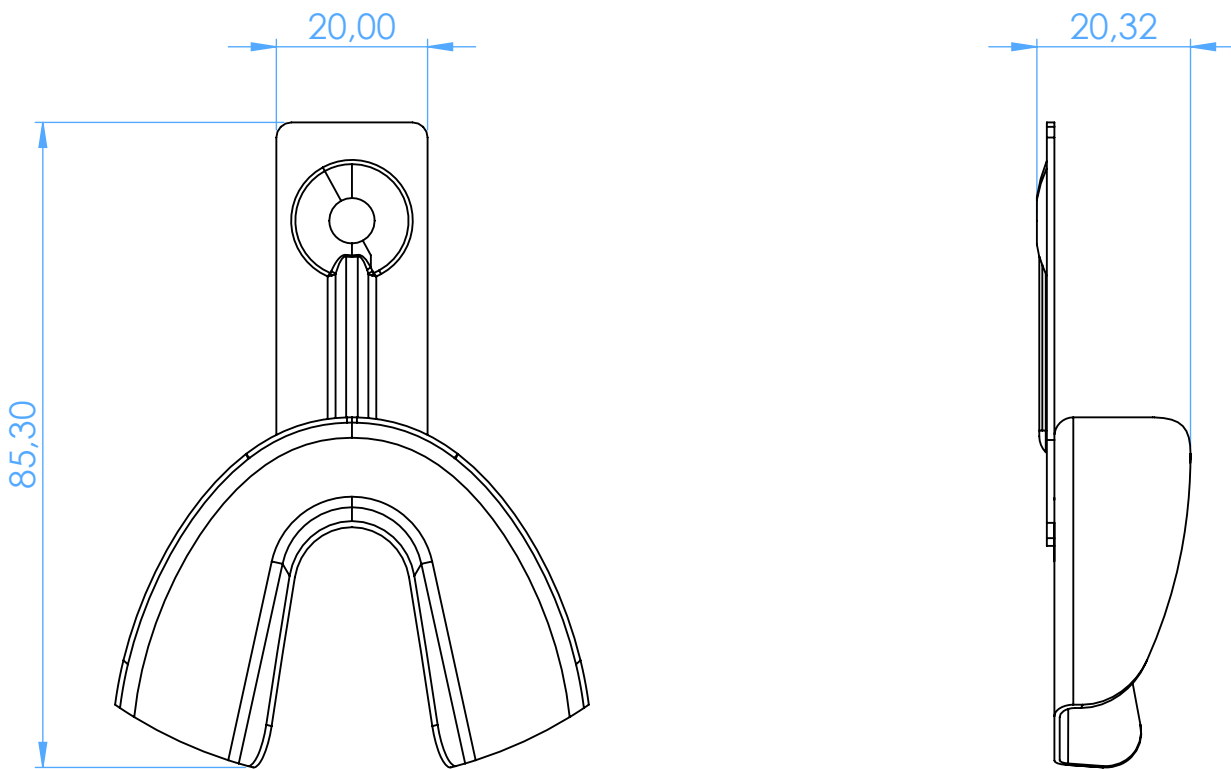


2800-L2 -  
Portaimpronta forati in alluminio / Perforated aluminum  
impression trays



SCALE 1:1