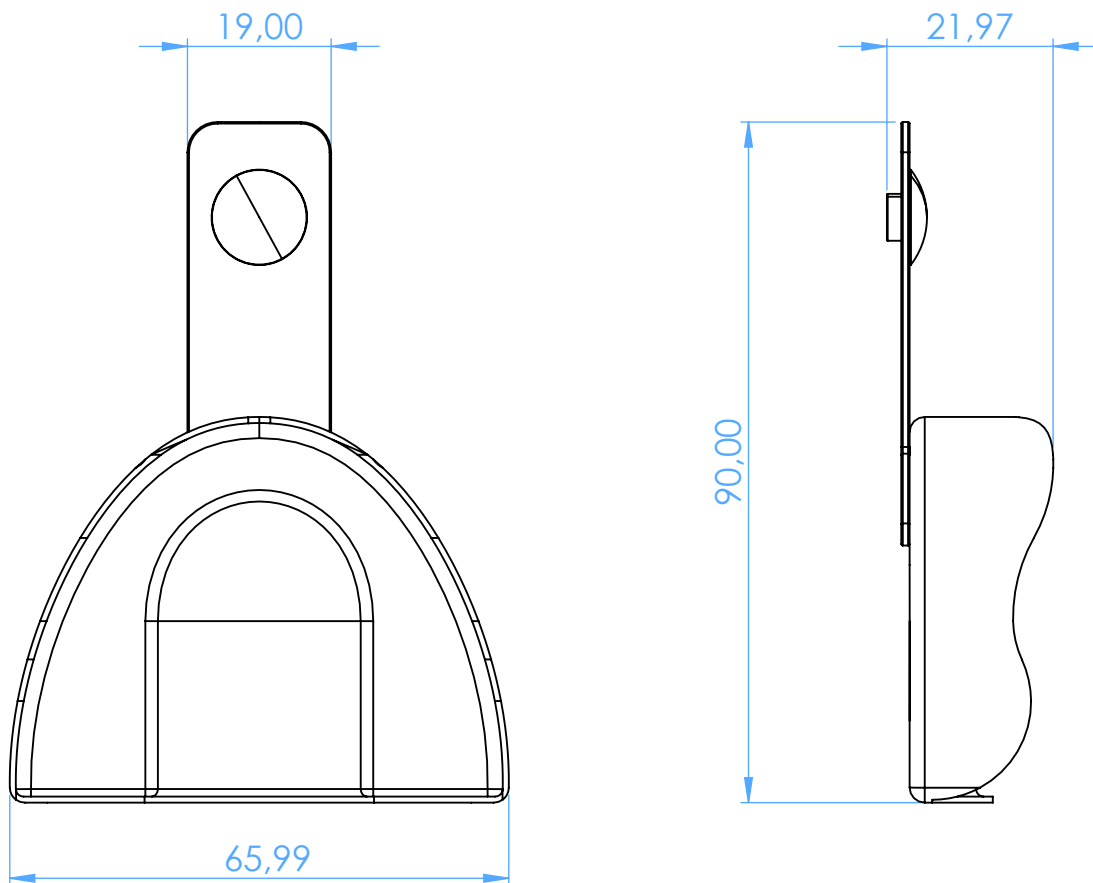


2801-U2A -
Portaimpronta forati in acciaio inox ANATOMIC /
Perforated stainless steel impression trays ANATOMIC



SCALE 1:1