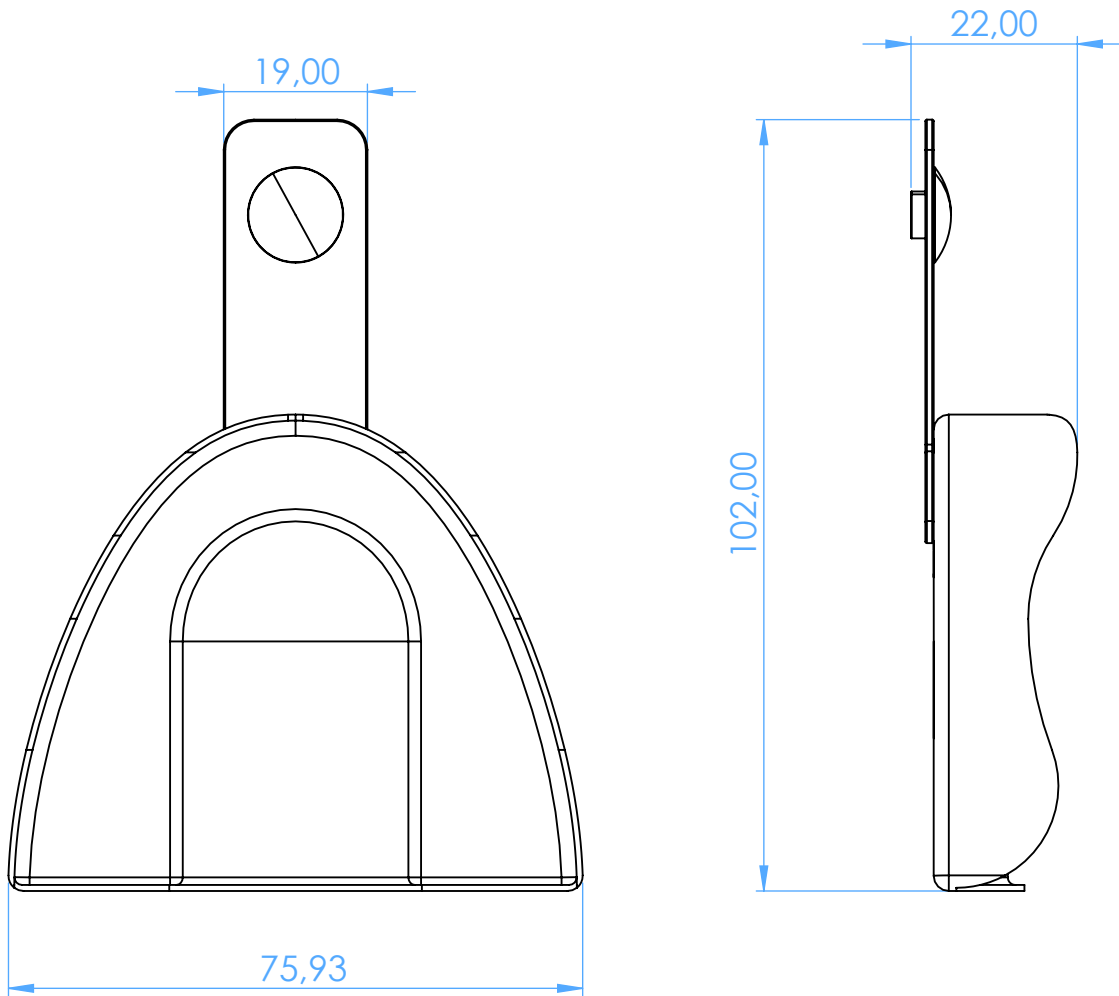


2801-U6A -  
Portaimpronta forati in acciaio inox ANATOMIC /  
Perforated stainless steel impression trays - ANATOMIC



SCALE 1:1