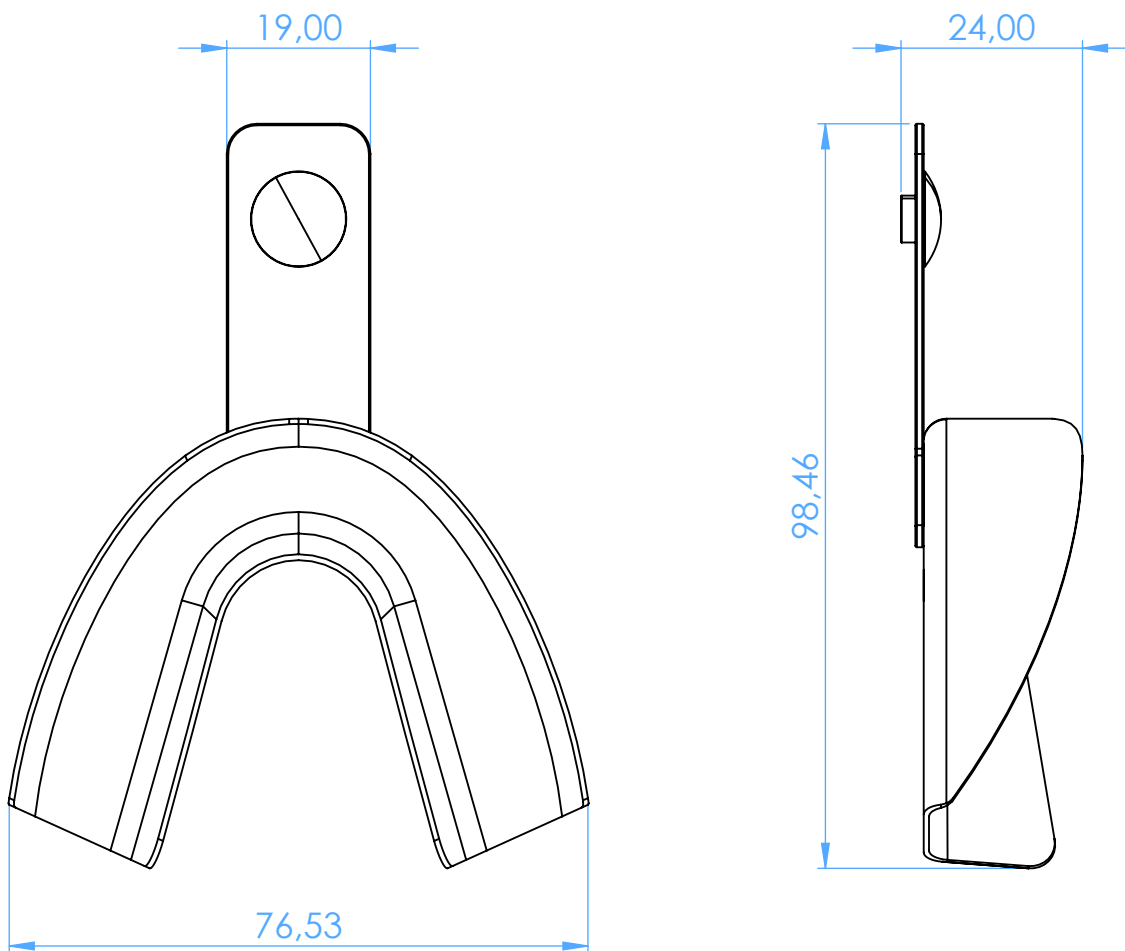


2802-L6 -  
Portaimpronta non forati in acciaio inox / Non-perforated  
stainless steel impression trays



SCALE 1:1