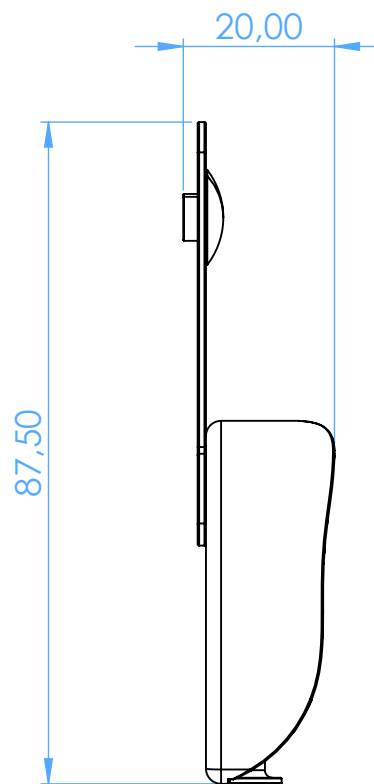
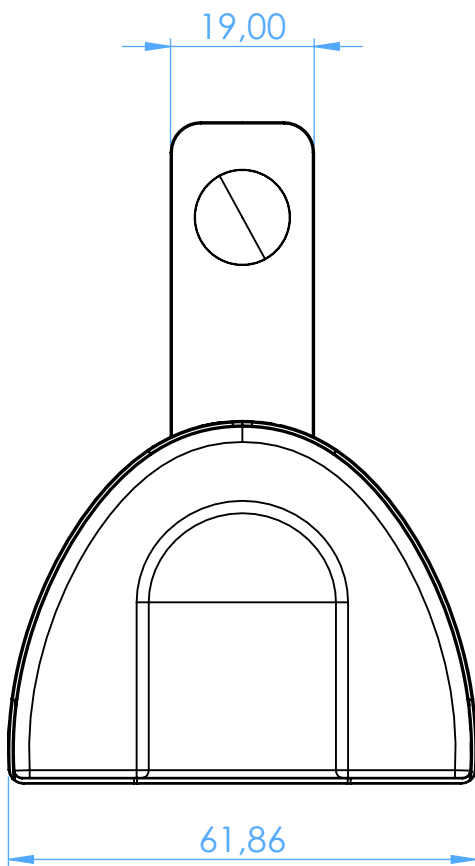


2802-U2 -
Portaimpronta non forati in acciaio inox / Non-perforated
stainless steel impression trays



SCALE 1:1