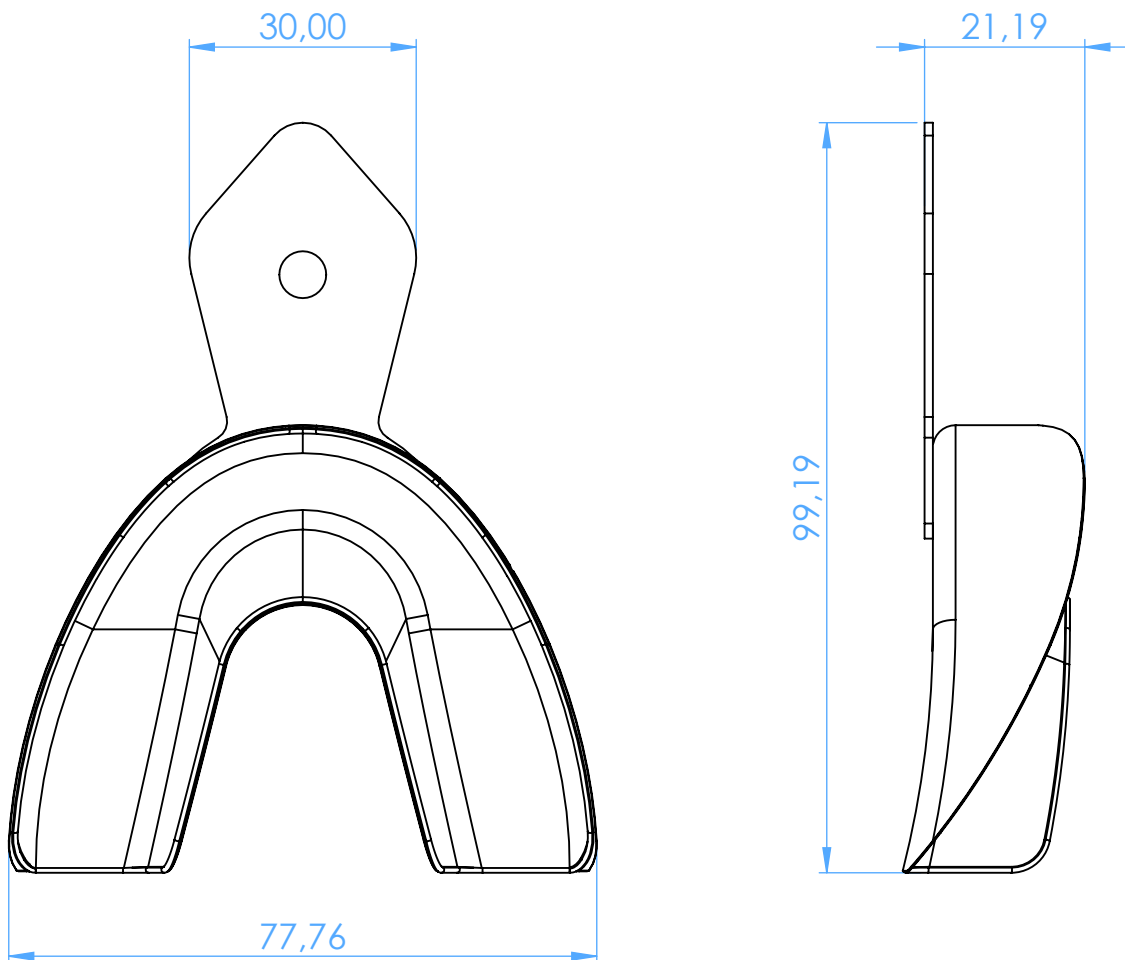


2803S-L2 -
Portaimpronta non forati in acciaio inox NEW SUPER
HIGH GRIP / Non-perforated stainless steel impression
trays NEW SUPER HIGH GRIP



SCALE 1:1