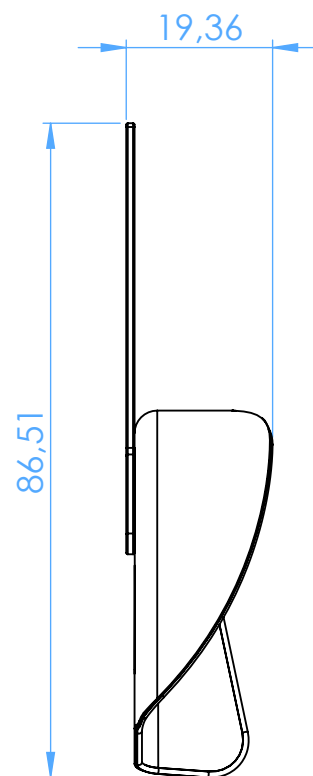
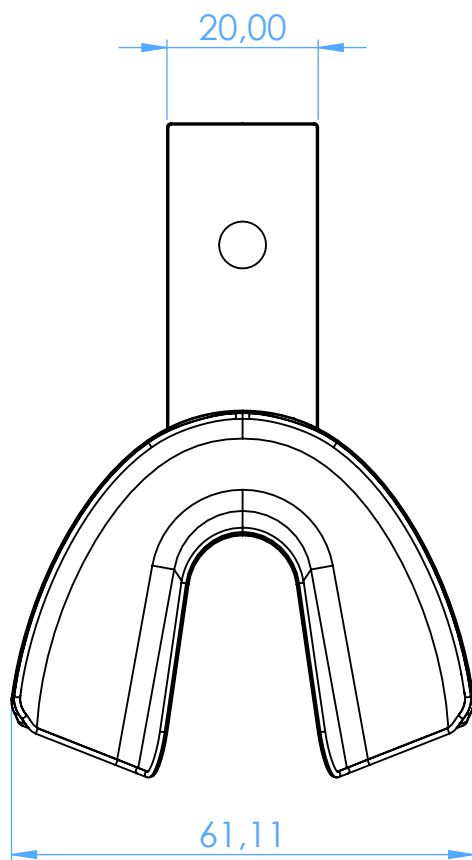


2804S-L2 -
Portaimpronta forati in acciaio inox - PERMA-LOCK HIGH
GRIP / Perforated stainless steel impression trays -
PERMA-LOCK HIGH GRIP



SCALE 1:1