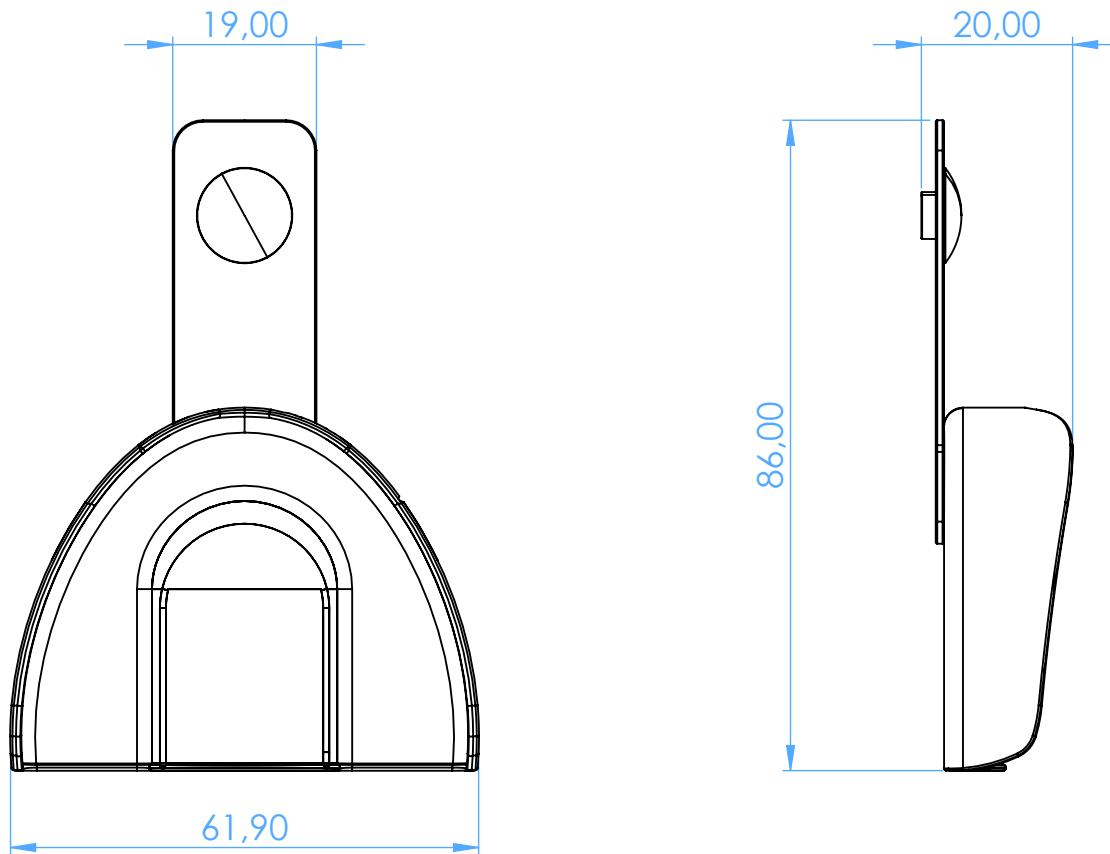


2807-U2 -
Portaimpronta non forati in acciaio inox - PERMA-LOCK /
Non-perforated stainless steel impression trays -
PERMA-LOCK



SCALE 1:1