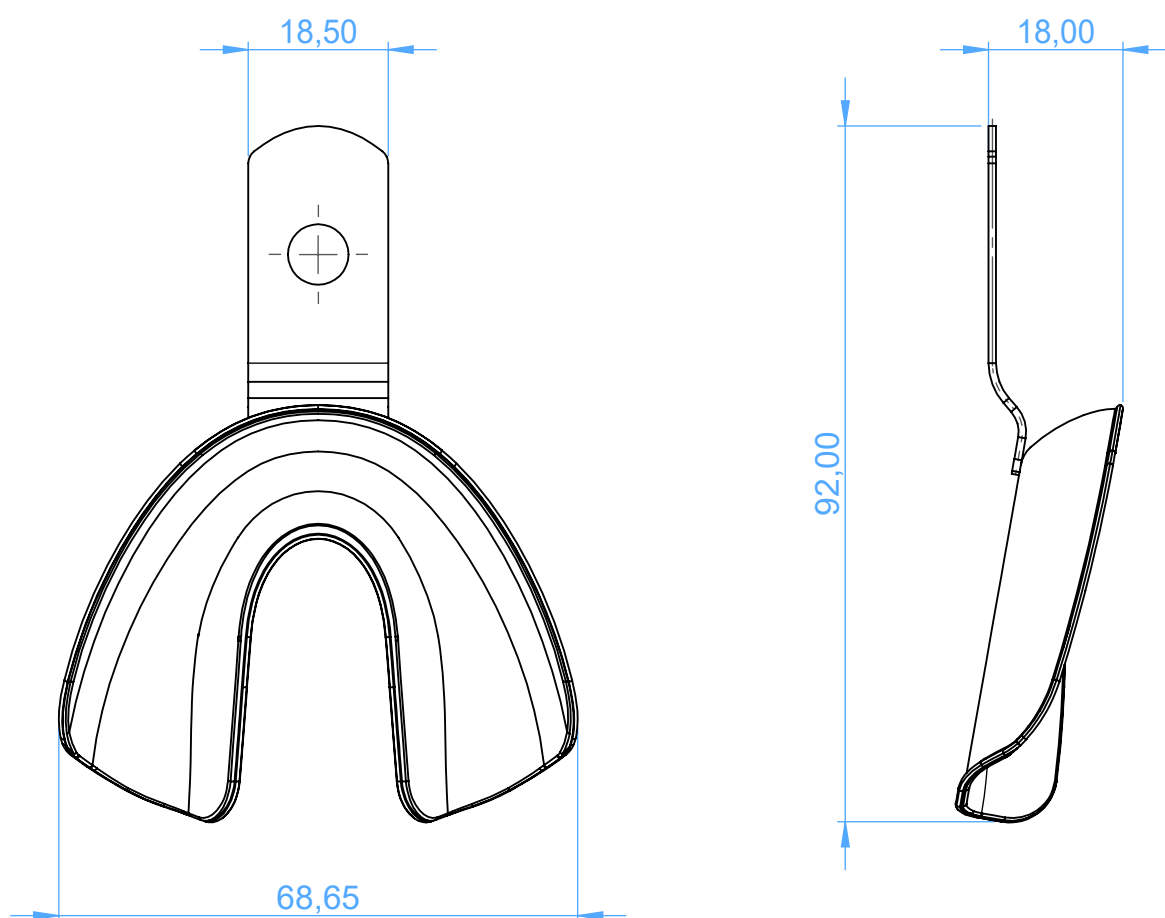


2808-L68 - PERFORATED STAINLESS STEEL IMPRESSION TRAYS-EDENTULOUS
Portaimpronta forati in acciaio-edentuli

with retention rim



SCALE 1:1