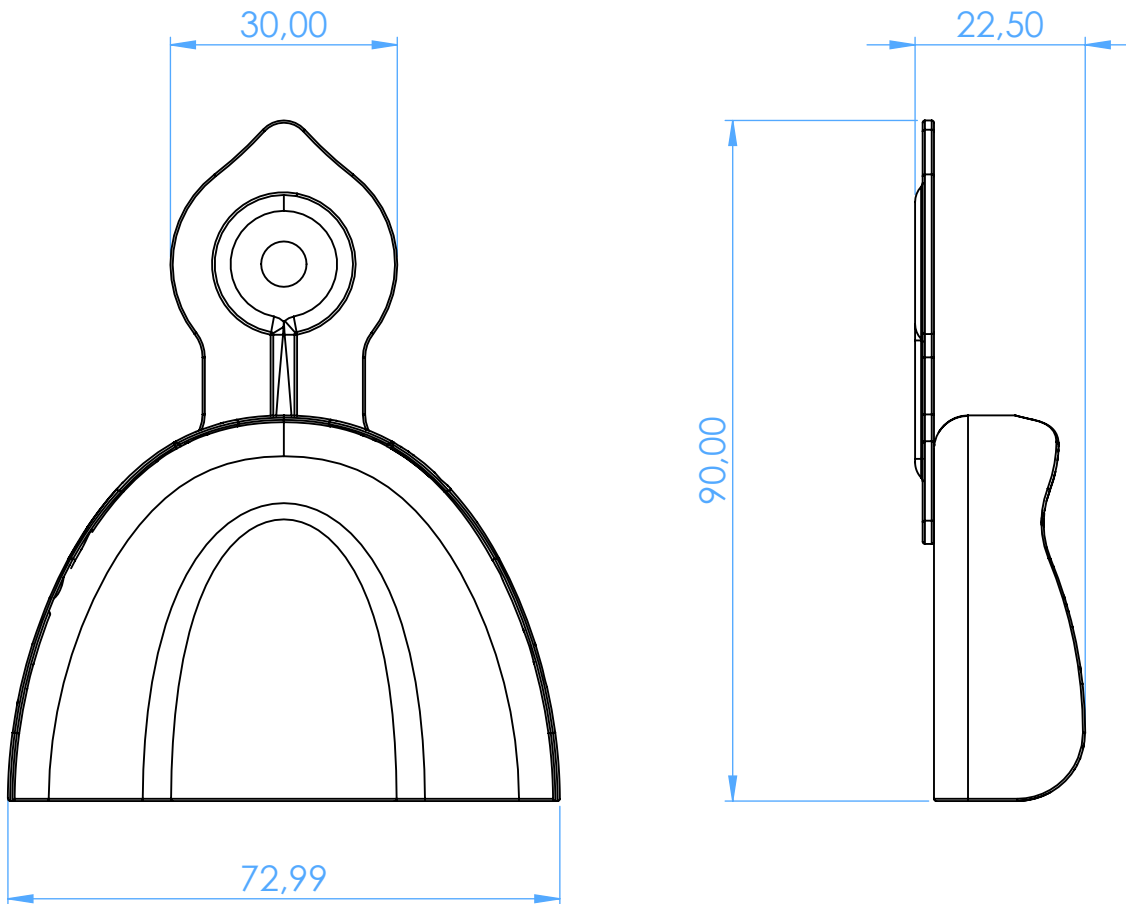


2814-U2 -  
Portaimpronta forati in alluminio colorate per  
implantologia / Perforated colour-coded aluminum  
impression trays for implantology



SCALE 1:1