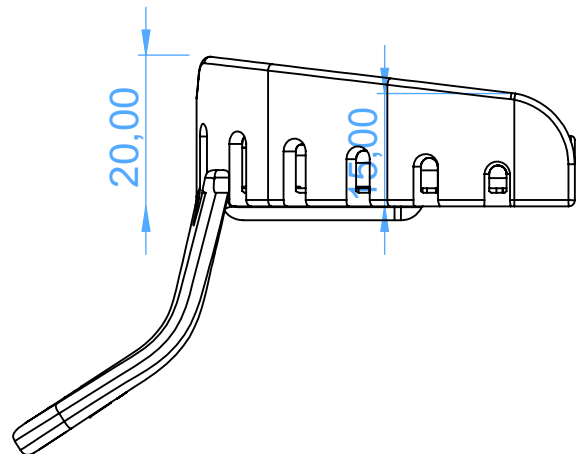
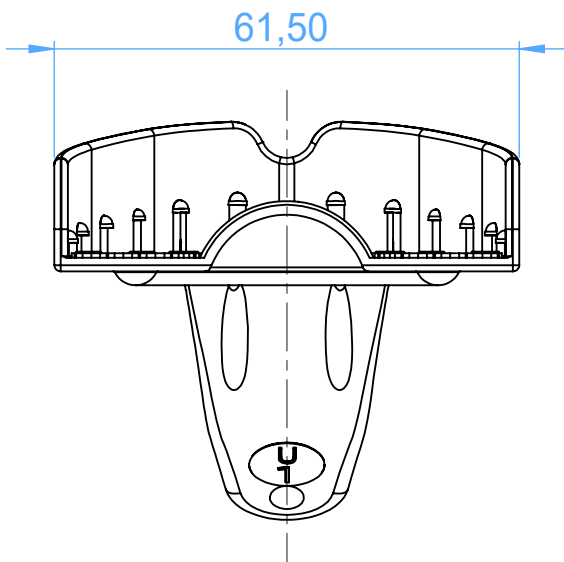
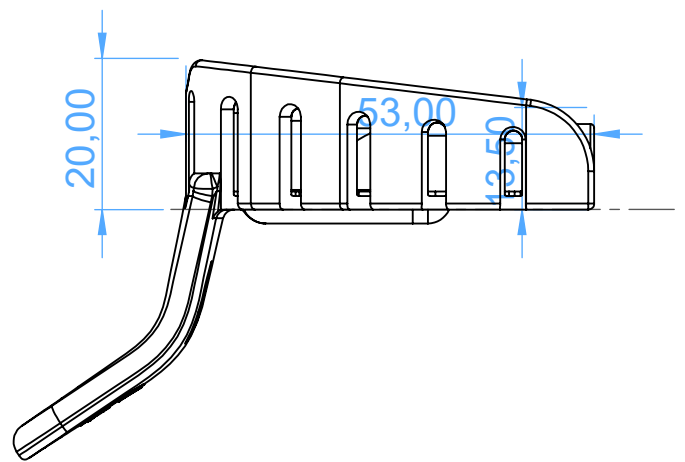
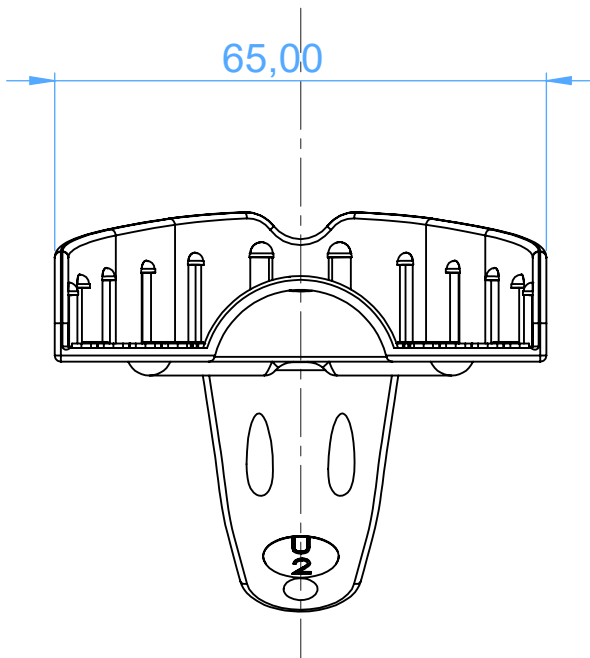


2852-12 -
Polycarbonate impression trays/Portaimpronta in policarbonato
U1



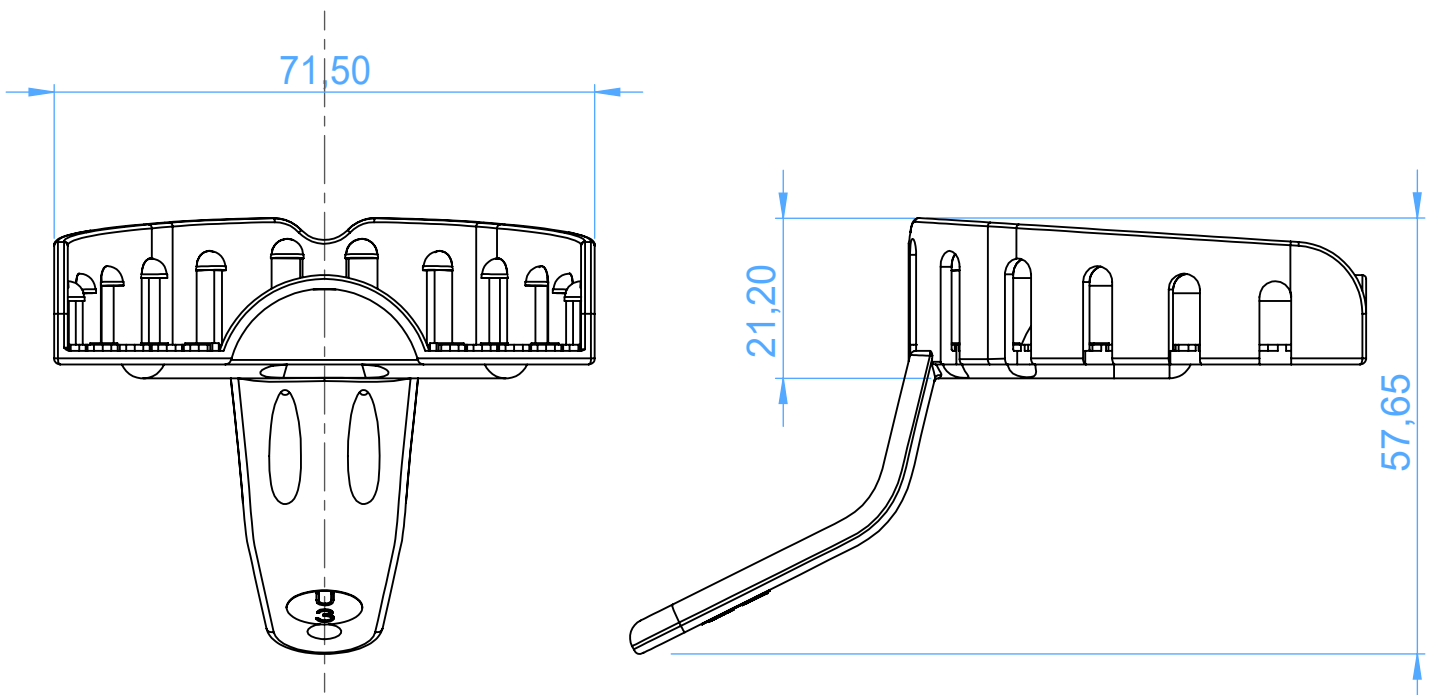
SCALE 1:1

2852-12 -
Polycarbonate impression trays/Portaimpronta in policarbonato
U2



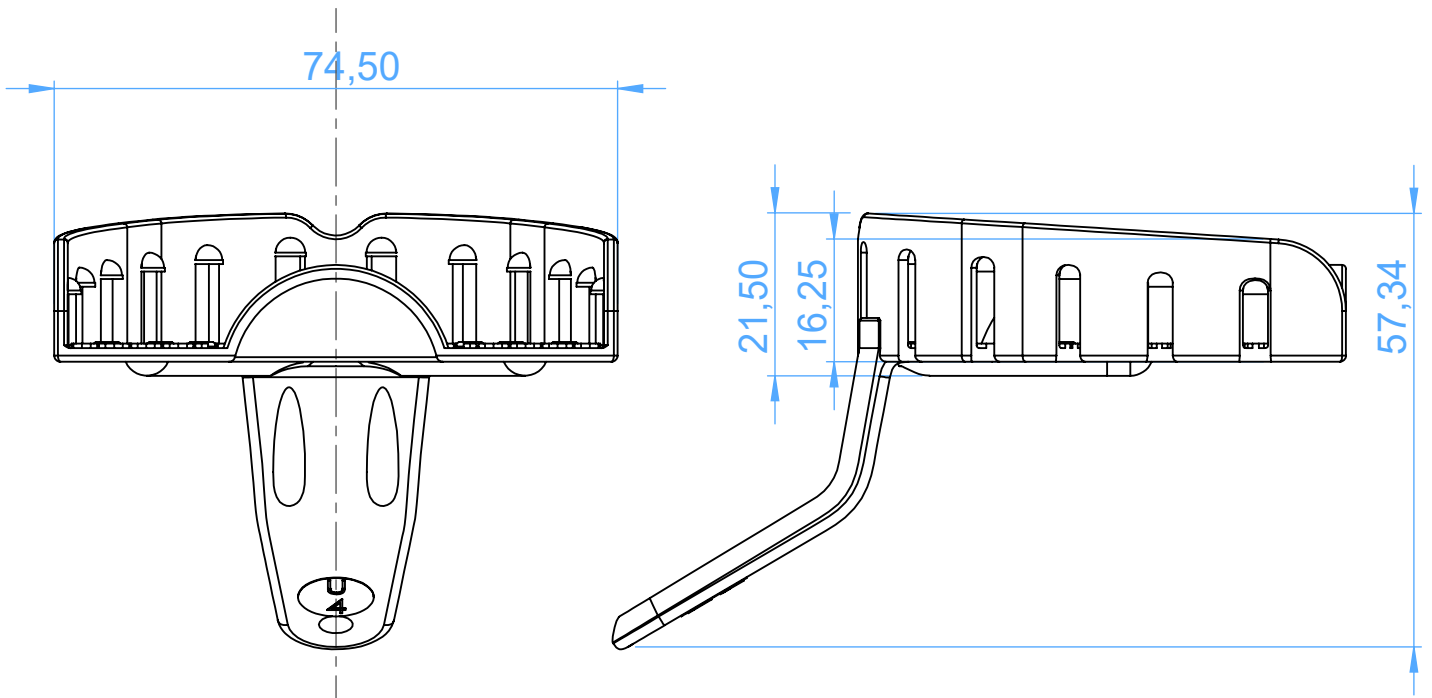
SCALE 1:1

2852-12 -
Polycarbonate impression trays/Portaimpronta in policarbonato
U₃



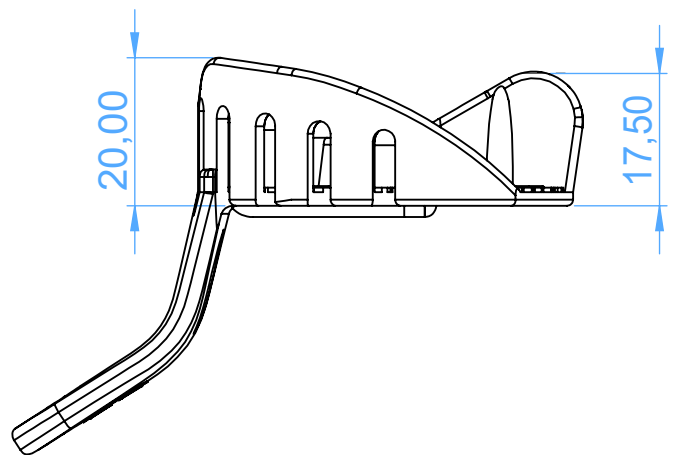
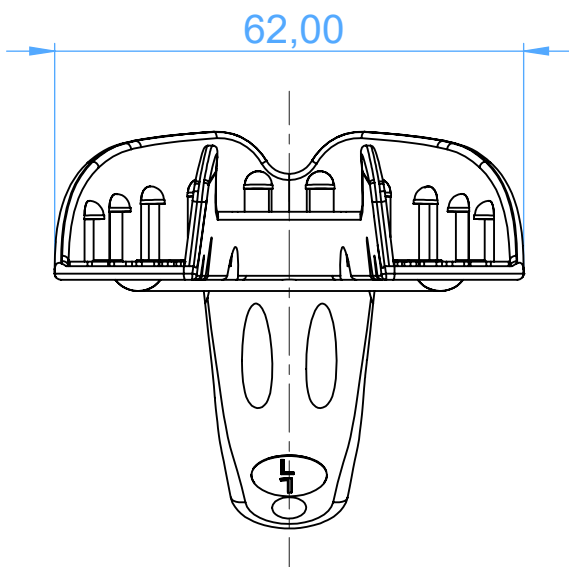
SCALE 1:1

2852-12 -
Polycarbonate impression trays/Portaimpronta in policarbonato
U4



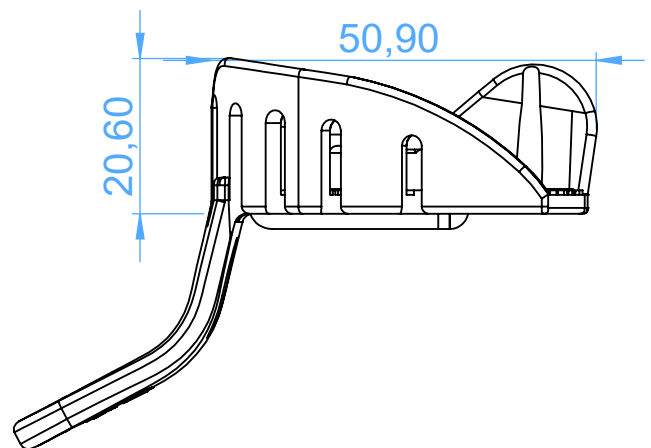
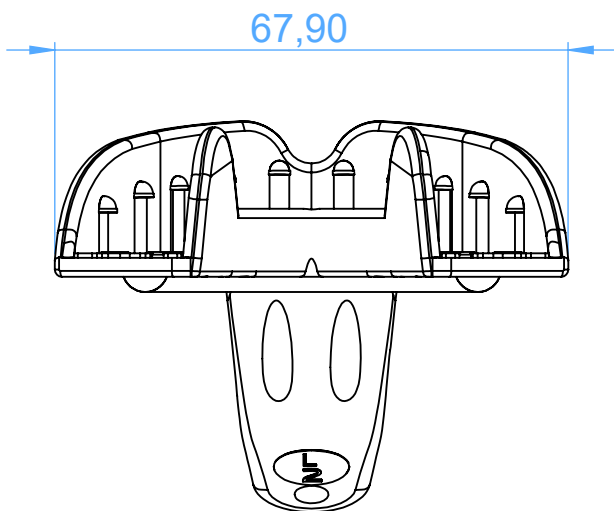
SCALE 1:1

2852-12 -
Polycarbonate impression trays/Portaimpronta in policarbonato
L1



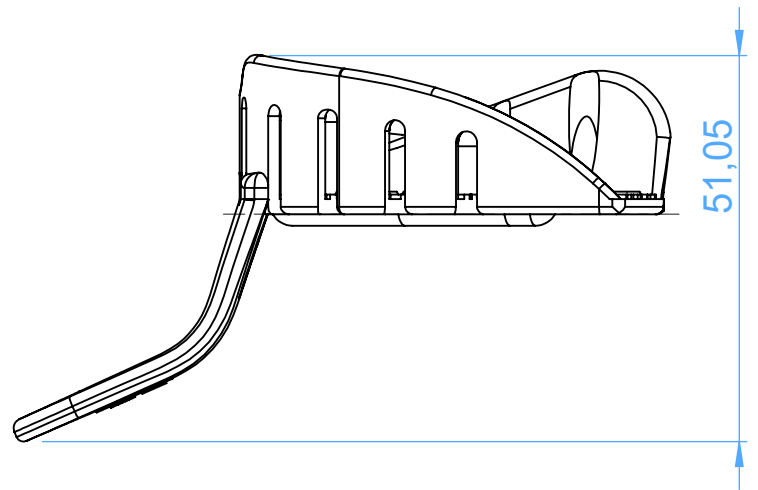
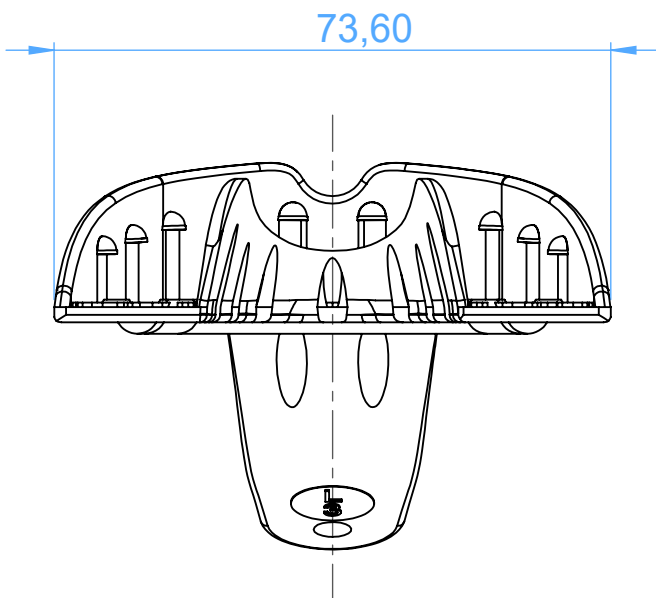
SCALE 1:1

2852-12 -
Polycarbonate impression trays/Portaimpronta in policarbonato
L2



SCALE 1:1

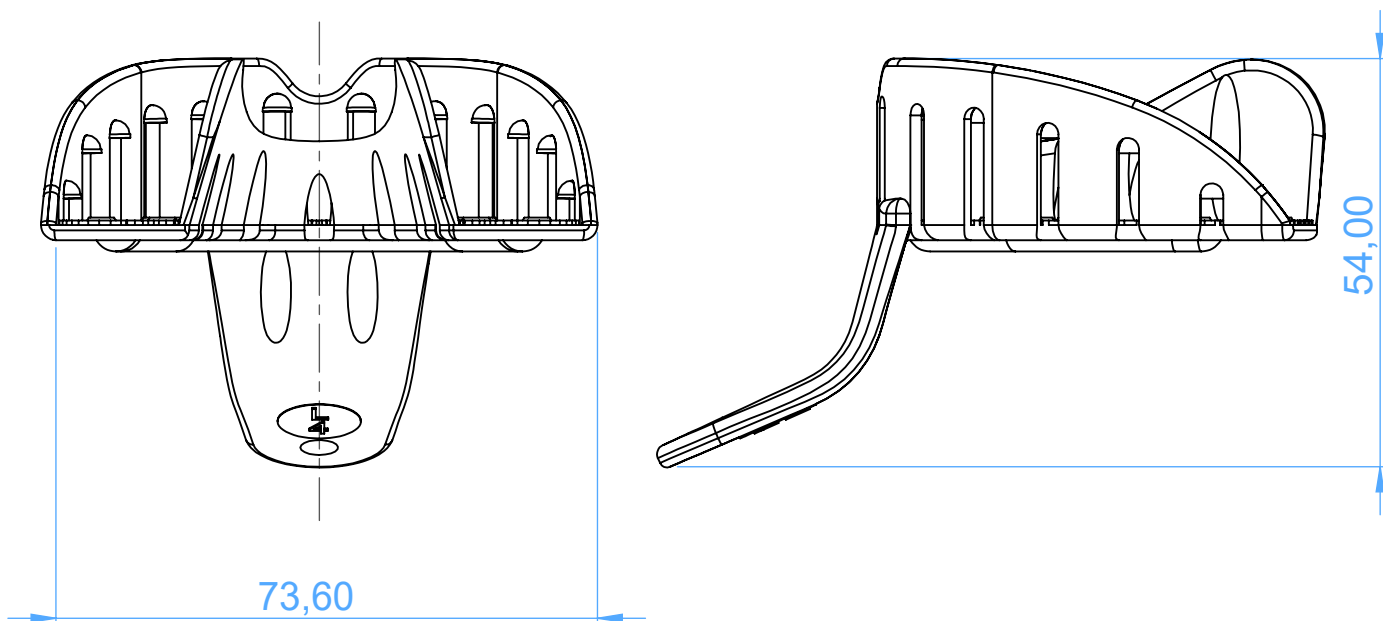
2852-12 -
Polycarbonate impression trays/Portaimpronta in policarbonato
L3



SCALE 1:1

2852-12 - Polycarbonate impression trays/Portaimpronta in policarbonato

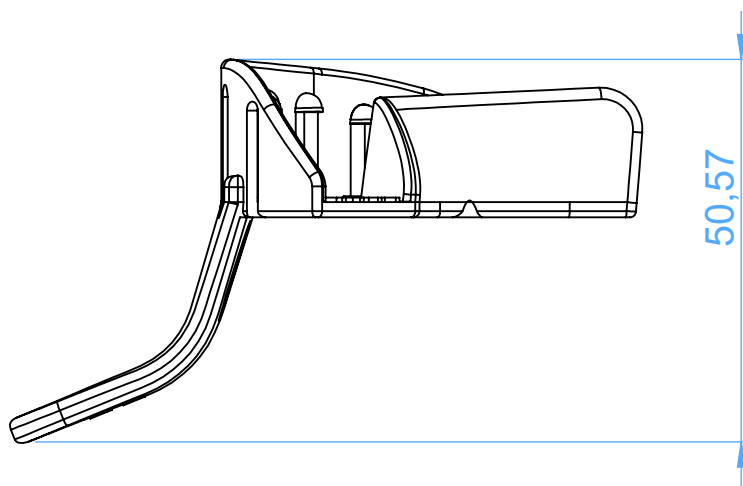
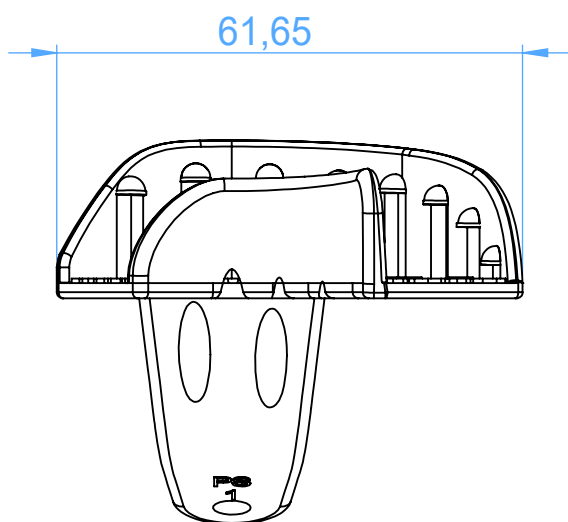
L4



SCALE 1:1

2852-12 - Polycarbonate impression trays/Portaimpronta in policarbonato

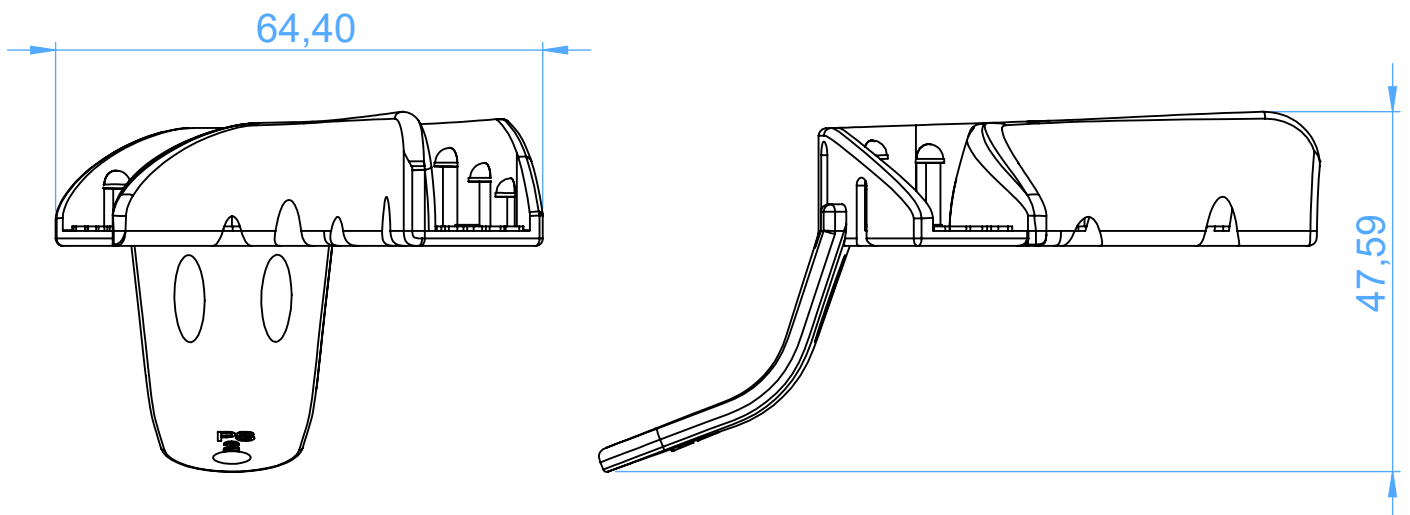
L1S



SCALE 1:1

2852-12 - Polycarbonate impression trays/Portaimpronta in policarbonato

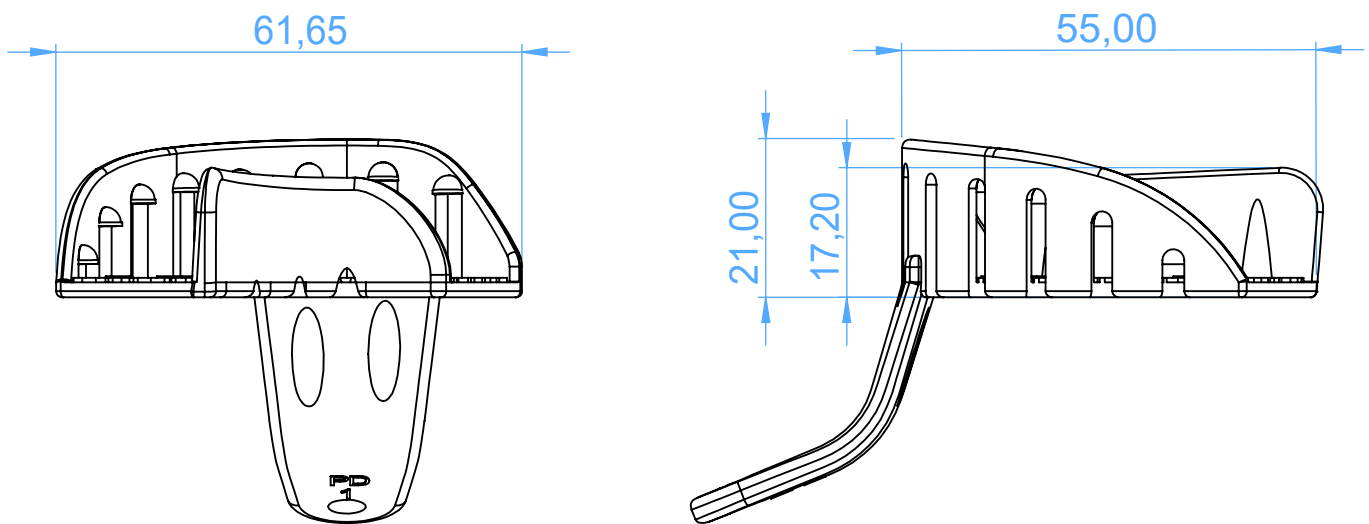
L2S



SCALE 1:1

2852-12 - Polycarbonate impression trays/Portaimpronta in policarbonato

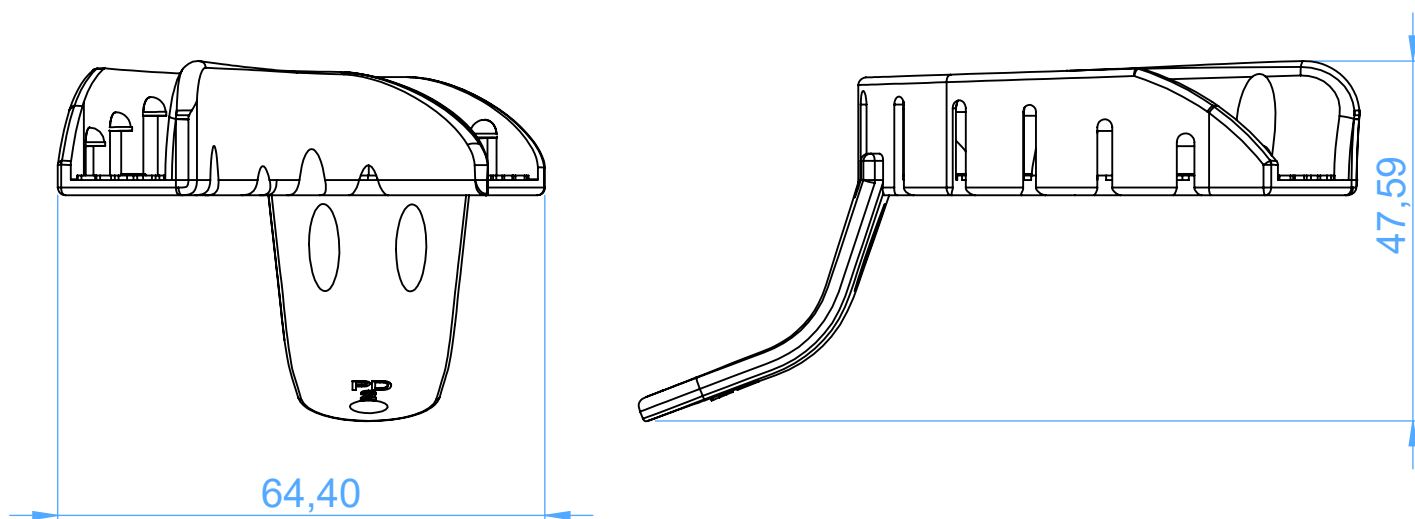
L1D



SCALE 1:1

2852-12 - Polycarbonate impression trays/Portaimpronta in policarbonato

L2D



SCALE 1:1