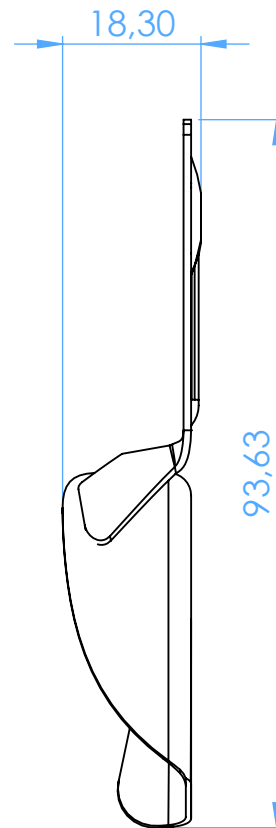
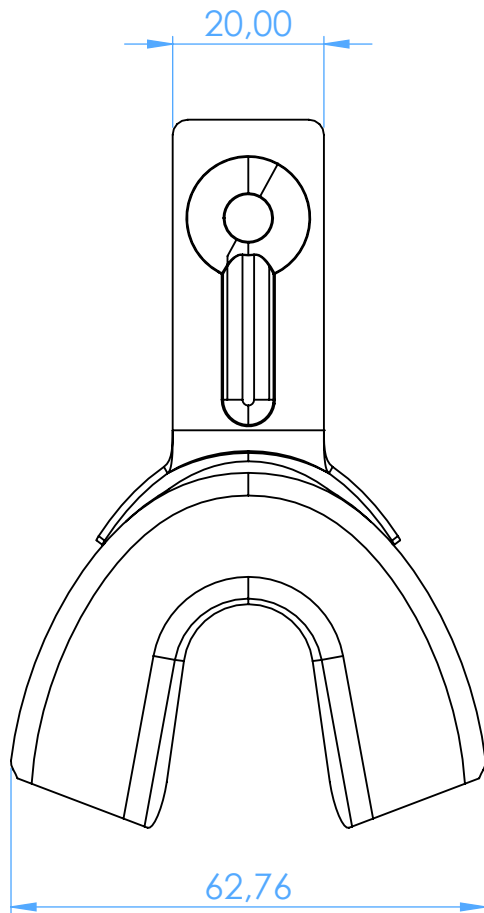


2880-L2 -
Portaimpronta forati in alluminio per implantologia /
Perforated aluminum impression trays for implantology



SCALE 1:1