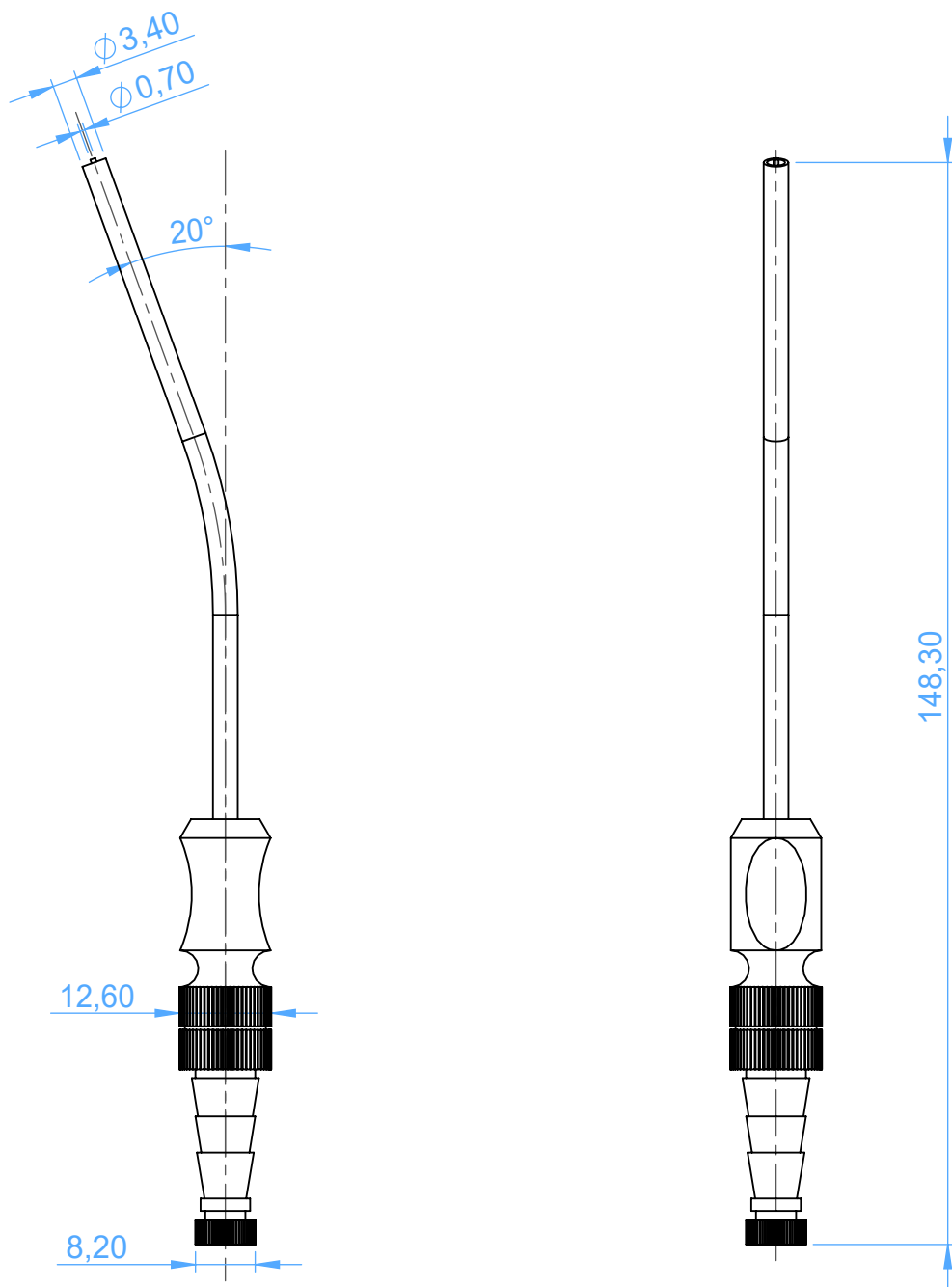


2904-10 - SURGICAL STAINLESS STEEL SALIVA EJECTORS / Cannula Chirurgica in Acciaio Inox

10FR Frazier - Ø 3,3 mm - 15 cm



SCALE 1:1

ASA DENTAL
MAKE PEOPLE SMILE