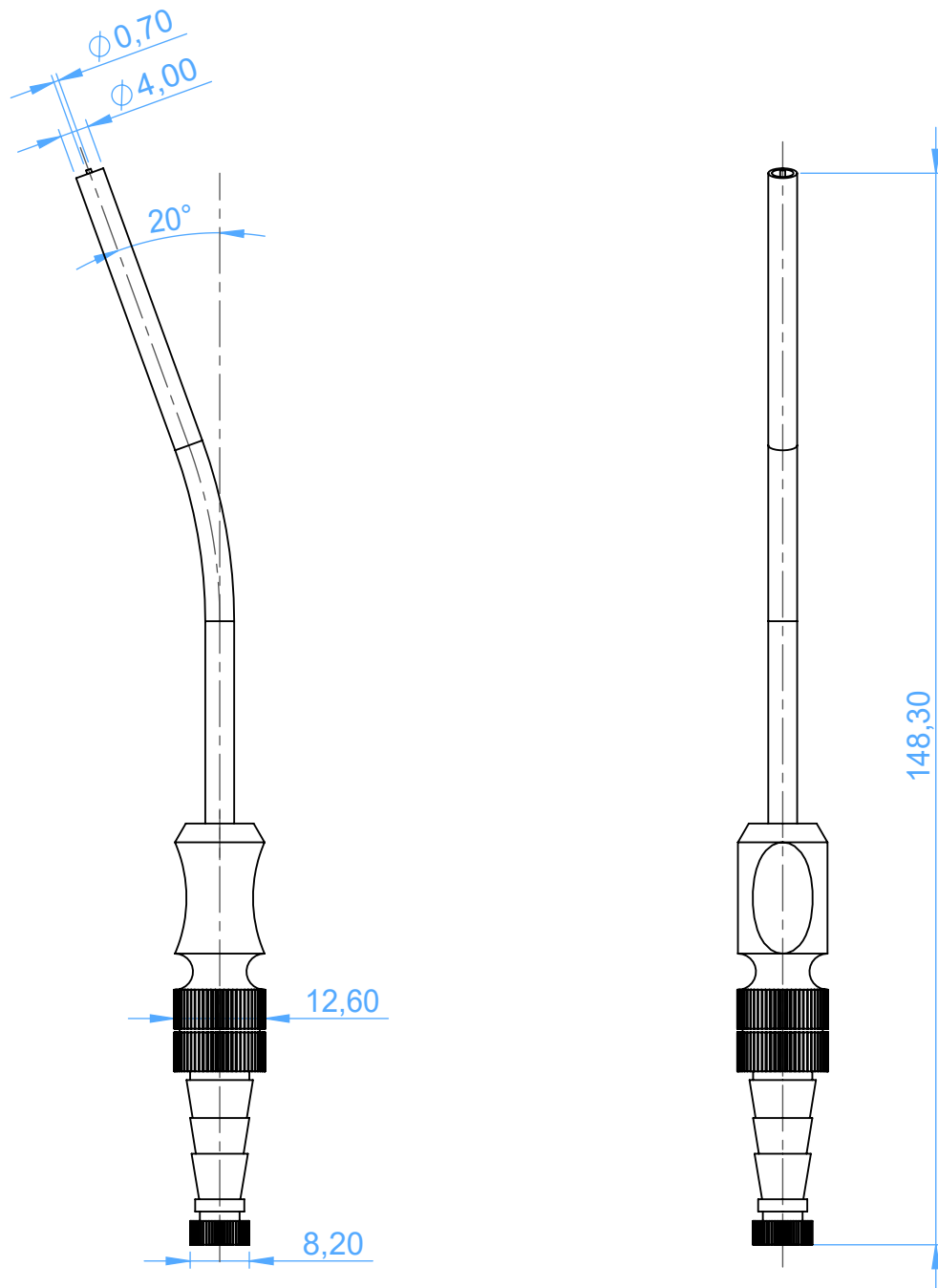


2904-12 - SURGICAL STAINLESS STEEL SALIVA EJECTORS / Cannula Chirurgica in Acciaio Inox

12FR Frazier - Ø 4 mm - 15 cm



SCALE 1:1

ASA DENTAL
MAKE PEOPLE SMILE