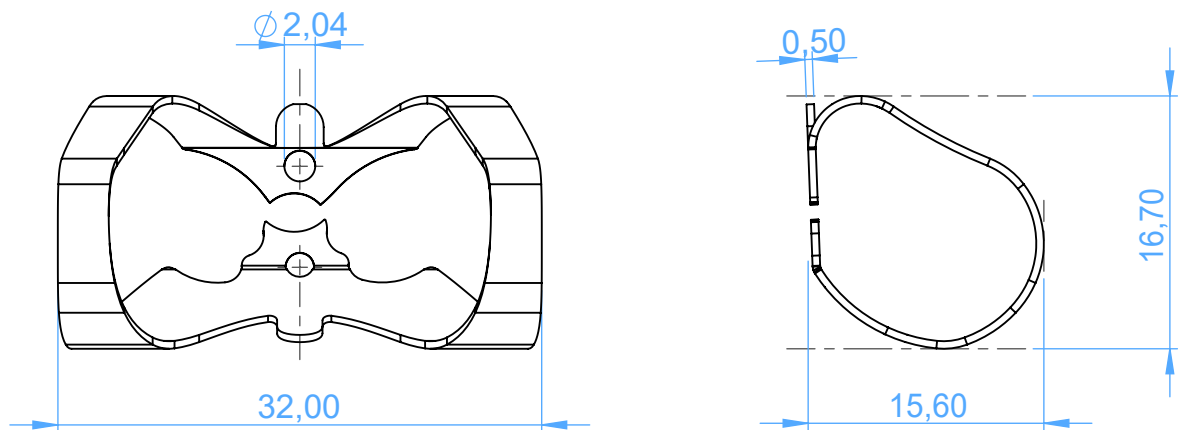


3052-210 - RUBBER DAM CLAMPS / Uncini per diga

210
winged
labial



SCALE 2:1