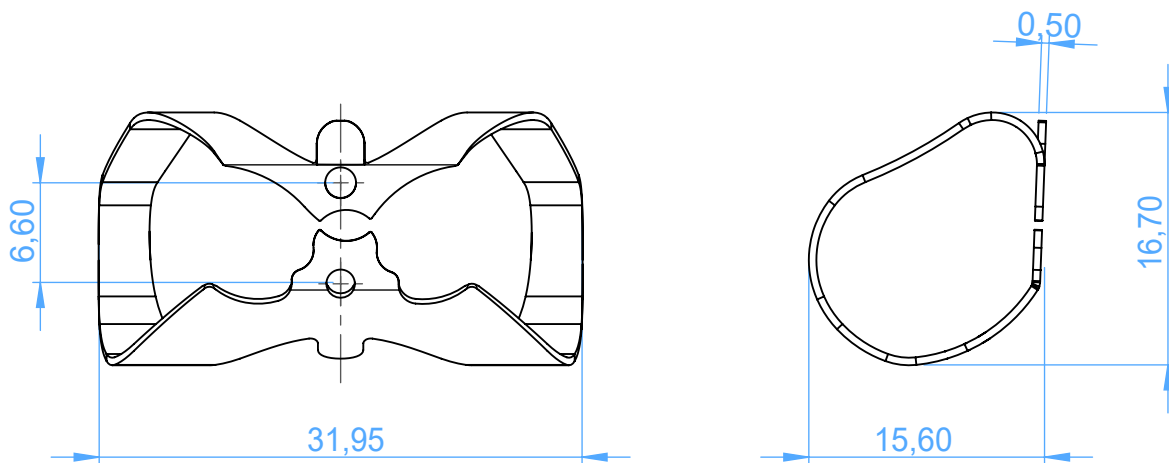


3052-9 - RUBBER DAM CLAMPS / Uncini per diga

ANTERIOR  
9  
winged  
labial



SCALE 2:1