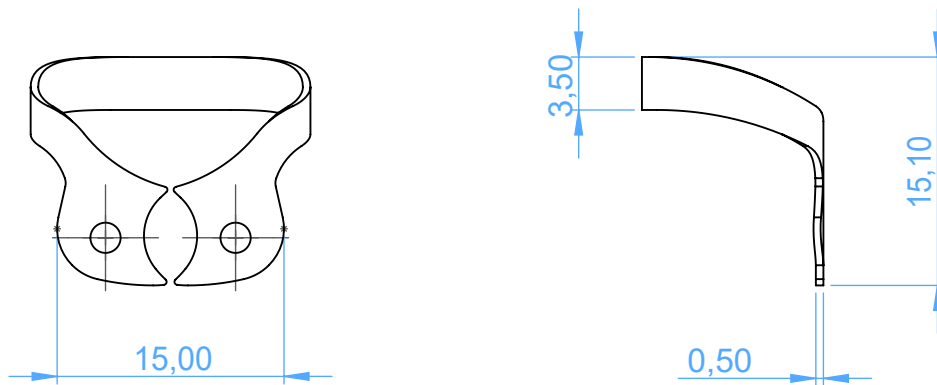


3052-W2A - RUBBER DAM CLAMPS / Uncini per diga

W2A
wingless
for premolars,
with large necks



SCALE 2:1